

INSTALLATION INSTRUCTIONS

BANO SWIVEL TOILET



Bano provides a 3-year warranty against manufacturing defects: i.e. if such defects appear within 3 years of installation, customers can replace the defective item with a corresponding properties.

BANO AS

Industrivegen 22
6823 Sandane - Norge
Tlf.: +47 57 86 98 00
post@bano.no
www.bano.no

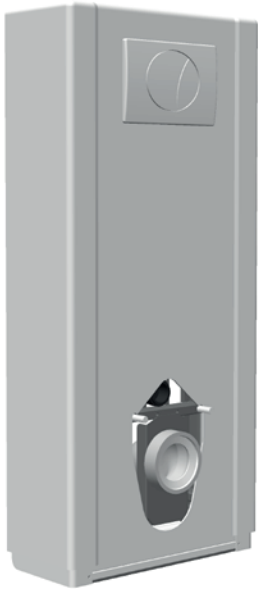
BANO AB

Hammarby Allé 91
120 63 Stockholm - Sverige
Tlf.: +46 (0) 8 30 11 10
post@bano.se
www.bano.se

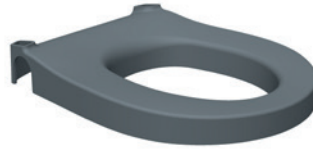
BANO A/S

Møllehaven 8
4040 Jyllinge - Danmark
Tlf.: +45 26 24 55 14
post@bano.dk
www.bano.dk

Table of contents



5920 Bano swivel toilet, cistern



Seat ring / seat cover



Back rest



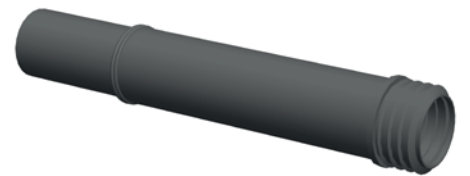
Toilet bowl with swivel module



5908 Toilet paper holder



Mounting set for toilet bowl, with tool



Flush pipe

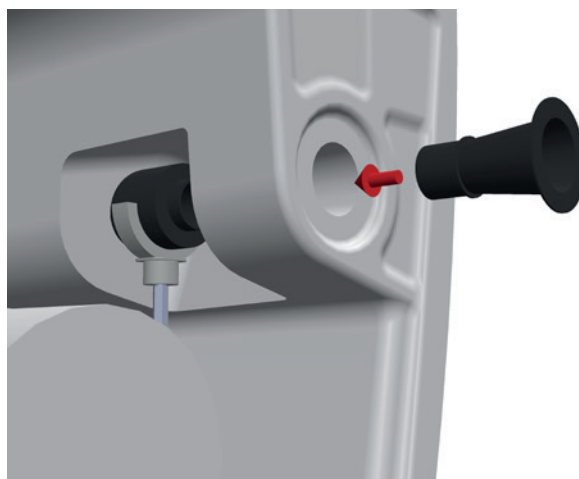
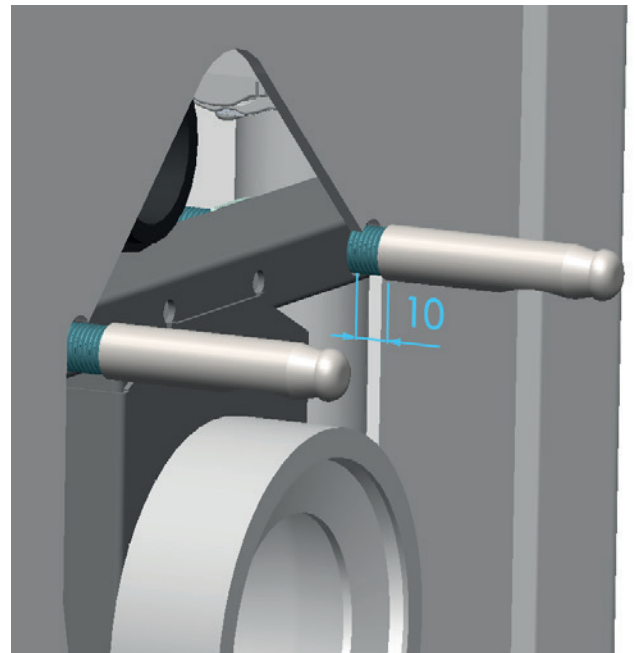
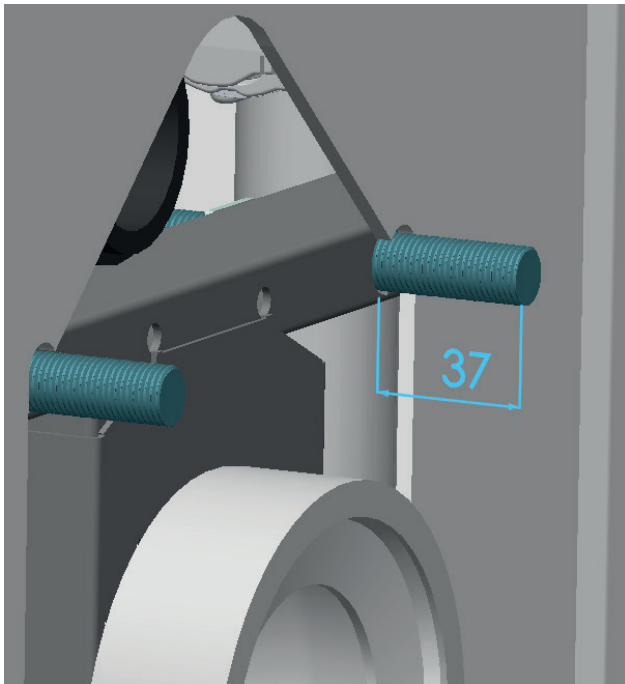
Recommended aids



Trolley for the porcelain bowl

Install the cistern according to the enclosed instructions for the 5920 Bano swivel toilet

Preparation for installation of toilet



Installation of flush pipe

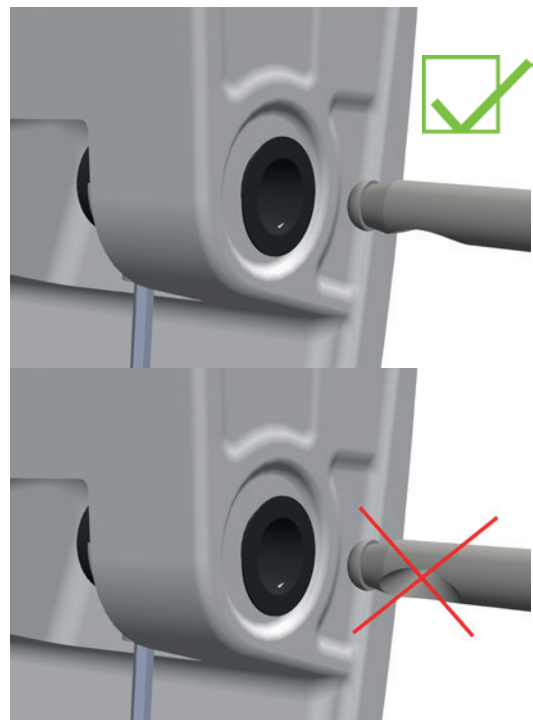
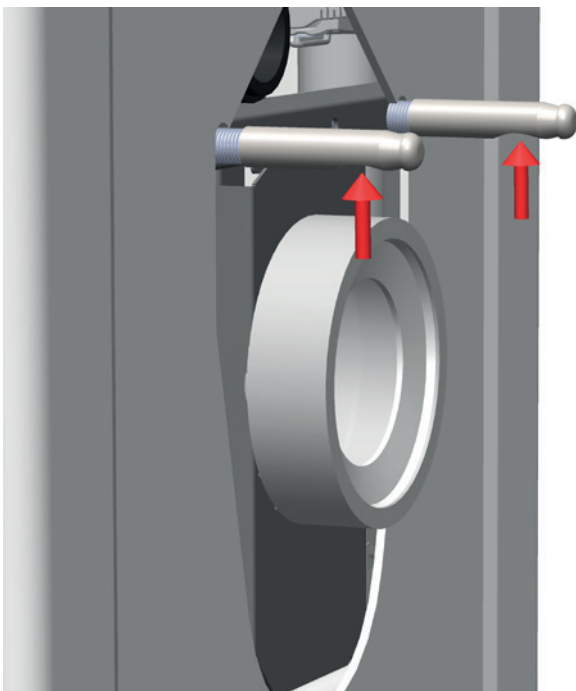
Apply Silicone glide lubricant



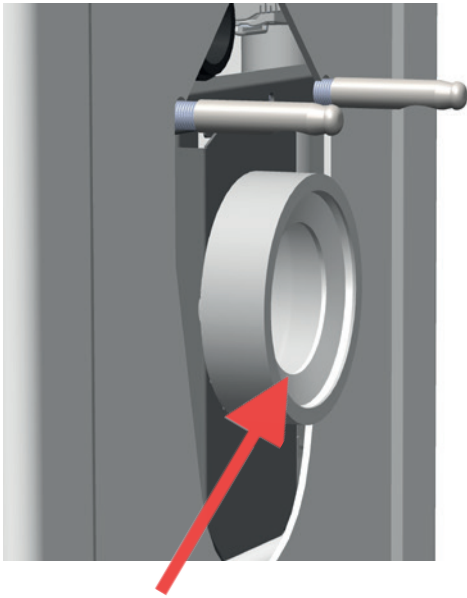
⚠ NOTE! Length of flush pipe: 260mm

⚠ NOTE! The flush pipe must be placed at the very bottom of the flush hole.

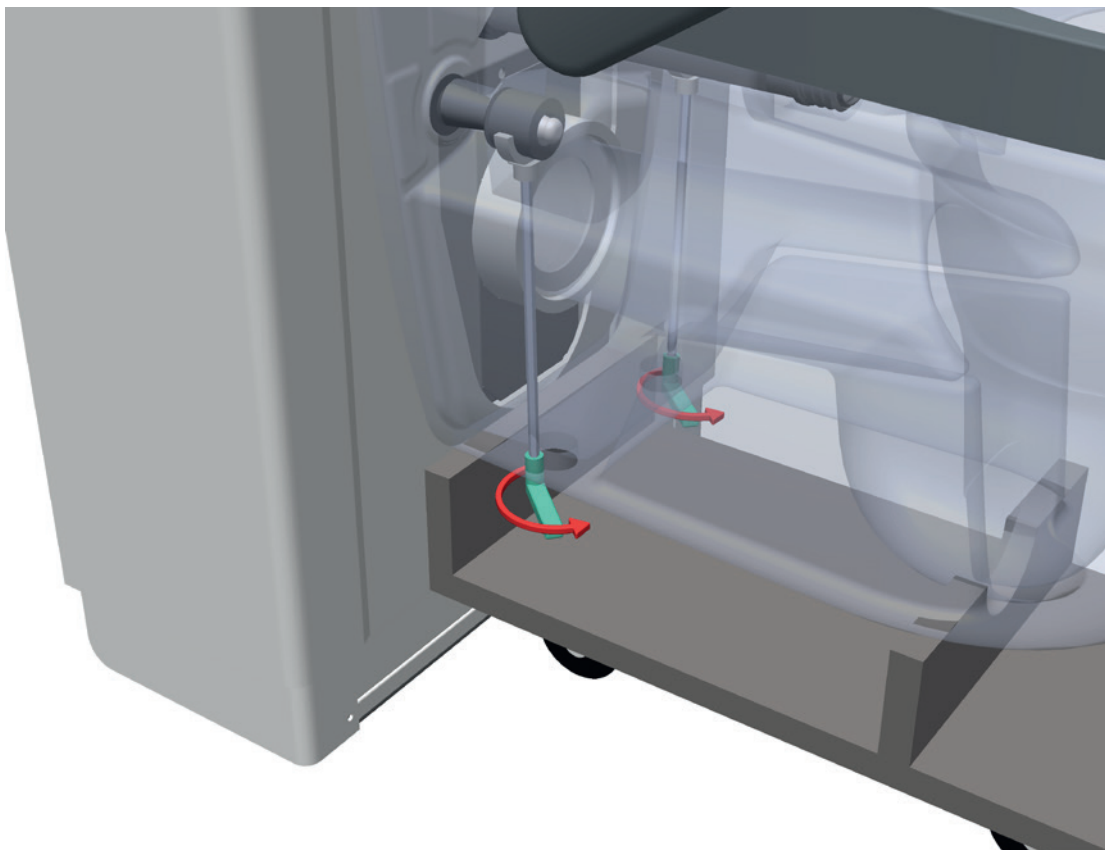
Installation of toilet bowl



Installation of toilet bowl

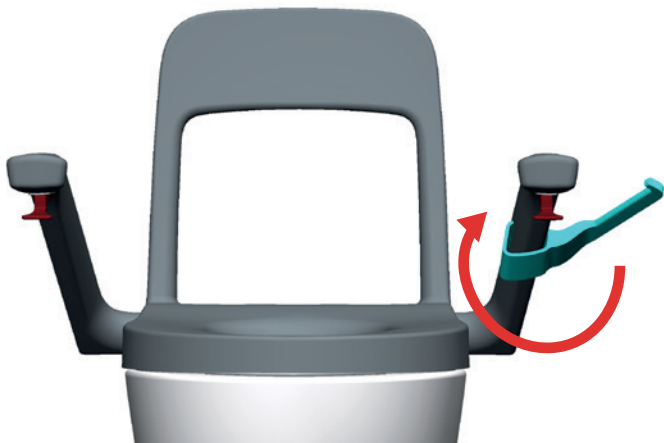


Apply Silicone glide lubricant



Tighten the mounting screws on both sides (max. 6Nm)

Installation of toilet seat, backrest and toilet paper holder



Thank you for taking the time to read this instruction thoroughly - it's a great investment!

For the latest version see our website.